

QGIS Server, Docker and OpenShift

Yves Bolognini – Swiss QGIS User Group – Olten, June 13, 2019

camptocamp[®]

INNOVATIVE SOLUTIONS
BY OPEN SOURCE EXPERTS

Agenda

- QGIS and GeoMapFish
- OpenShift and GeoMapFish
- All three together
- Demonstration



Demonstration (1/2)

- Change a layer's color...



GeoMapFish and QGIS

QGIS / Mapserver

■ History

- → GeoMapFish 1.5: Mapserver
- ~2015, GeoMapFish 1.6: QGIS integration
- From GeoMapFish 2.2: uses QGIS specific features
- Now: more and more projects use QGIS

■ Possible to have both in one GeoMapFish project

■ Uses the best of both worlds, for instance:

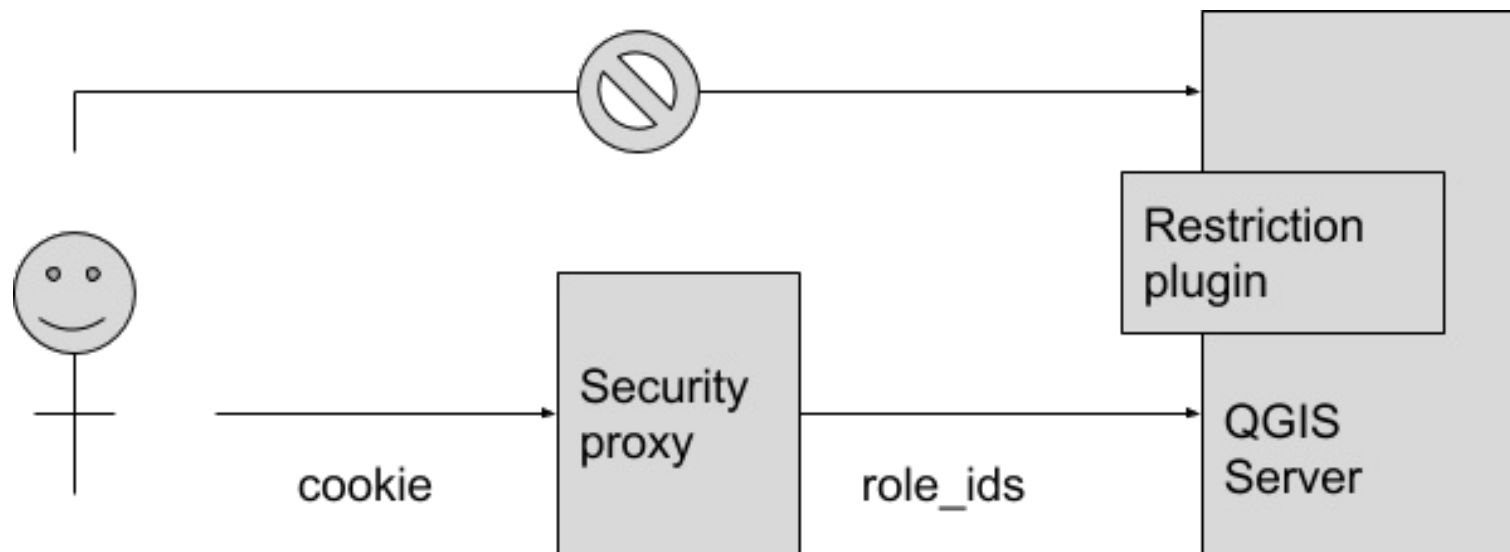
- 300 DPI legends with QGIS
- No WMS-Time with QGIS



GeoMapFish and QGIS

QGIS Server Security Proxy

- Proxy knows about cookie → user → roles
- Restriction plugin knows about roles → restrictions



GeoMapFish and OpenShift Introduction

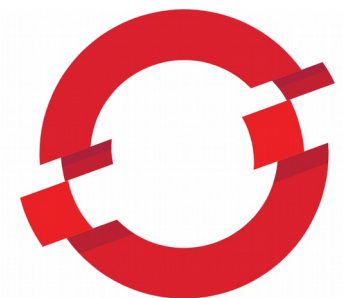


■ Docker status

- Moving to Docker since early 2018
- Currently two modes available (Docker and not Docker)
- Version 2.5 will be Docker-only

■ OpenShift

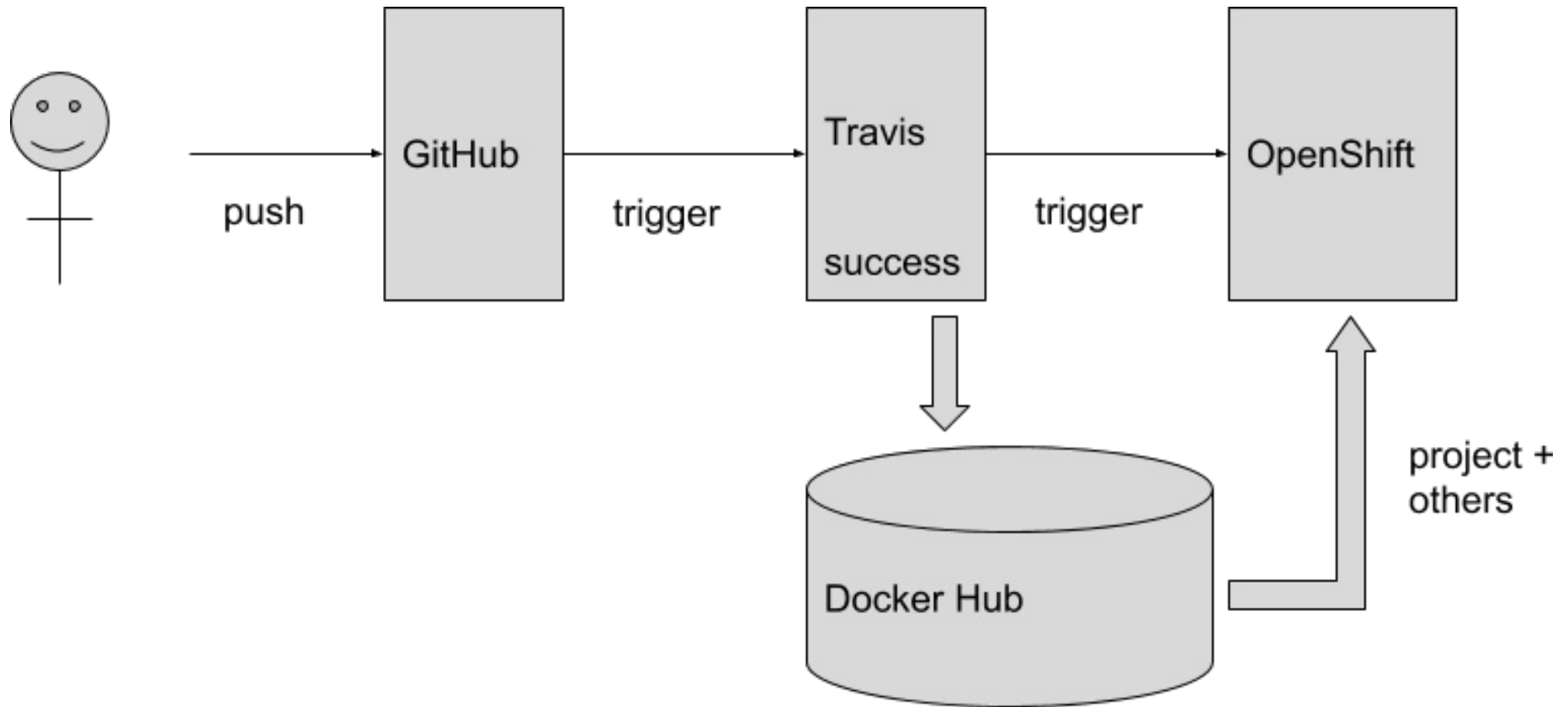
- Docker container platform by Red Hat
- Based on Kubernetes orchestration system
- The clean way to put Docker in production



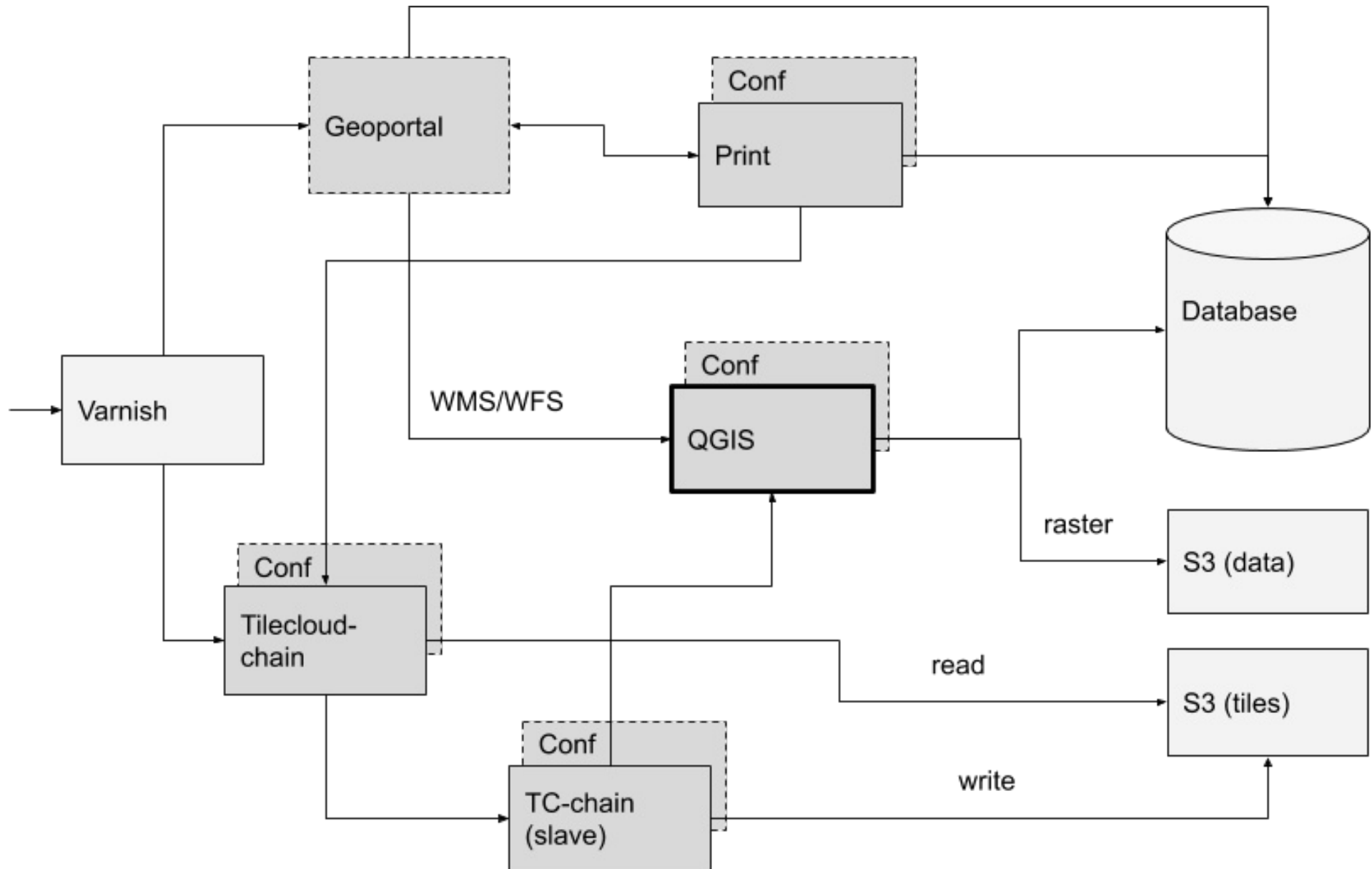
OPENSIFT



GeoMapFish and OpenShift Continuous Integration



All Three Together – Architecture



All Three Together

Status

- Docker images at Camptocamp
 - Standard QGIS Server
 - QGIS Server ready for GeoMapFish
- Demonstration application
 - Includes QGIS Server data
 - Runs on OpenShift
 - <https://geomapfish-demo-2-4.camptocamp.com>
- A couple projects now migrating to OpenShift



Demonstration (2/2)

- Change a layer's color...
- ...and see the change on geoportal



Contacts

- Thank you for your attention!
- Yves Bolognini
Camptocamp SA
www.camptocamp.com
- yves.bolognini@camptocamp.com



to camp 

camp **to** camp

INNOVATIVE SOLUTIONS
BY OPEN SOURCE EXPERTS